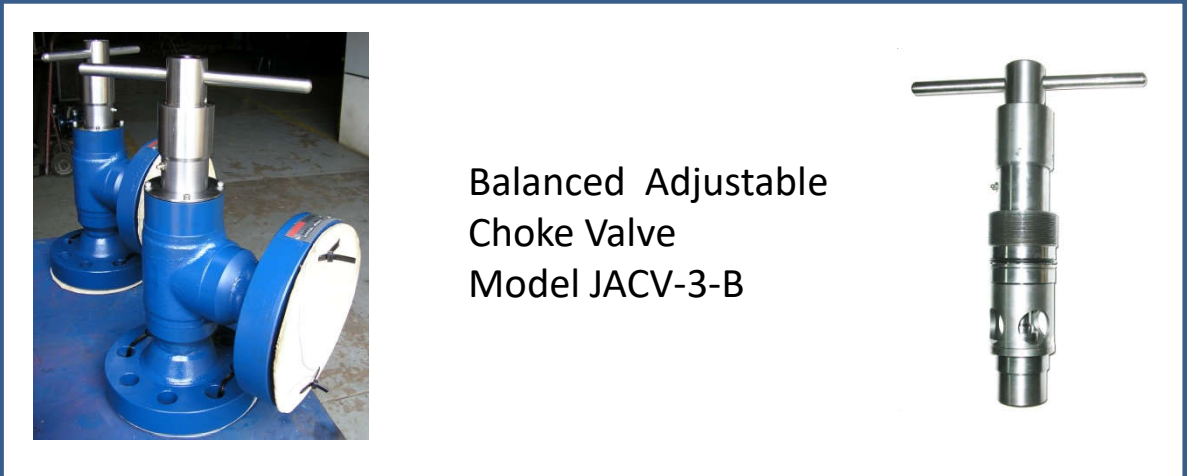
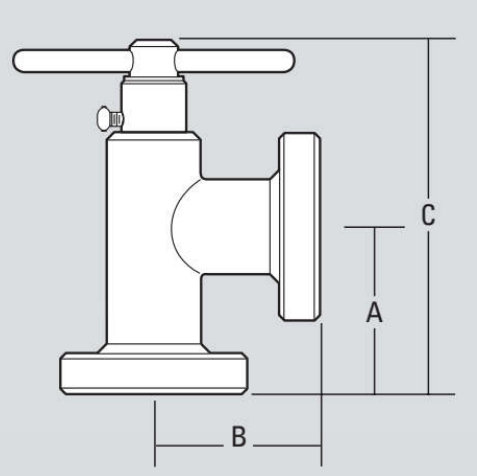
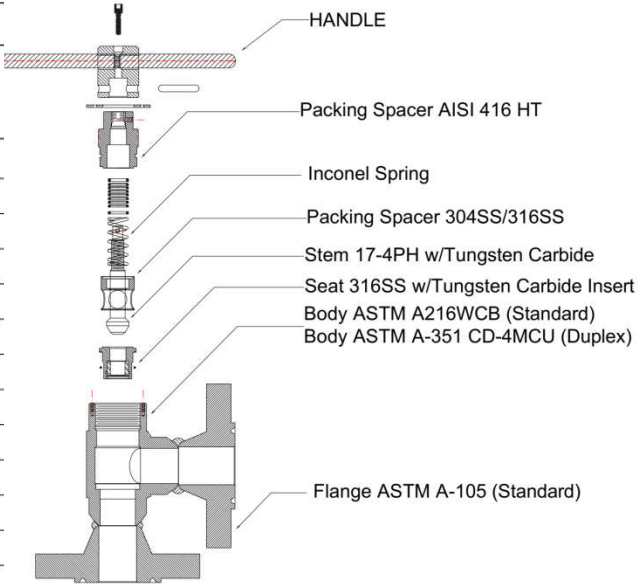


Adjustable choke valves are used for regulating water flow . They are required for water injection process. When high differential pressures are present opening/closing of choke valve can be difficult, Jetco has developed a balanced stem that facilitates closing/opening at high differential pressures.



Balanced Adjustable Choke Valve Model JACV-3-B

Body Style	Maximum Working Pressure (psi [atm])	3 in. [76.2 mm]		
		A and B in. [mm]	C in. [mm]	Approximate Weight (lbm [kg])
Threaded	3000 [204]	5.000 [127.0]	15.190 [385.8]	70 [32]
Socket Weld	3600 [245]	5.000 [127.0]	15.190 [385.8]	70 [32]
Butt Weld 160	5000 [340]	5.000 [127.0]	15.190 [385.8]	70 [32]
Series 600 RF	1480 [101]	7.000 [177.8]	17.190 [436.6]	106 [48]
Series 600 RJ	1480 [101]	7.070 [179.6]	17.260 [438.4]	106 [48]
Series 900 RF	2220 [151]	7.500 [190.5]	17.690 [449.3]	128 [58]
Series 900 RJ	2220 [151]	7.570 [192.3]	17.760 [451.1]	128 [58]
Series 1500 RF	3705 [252]	9.250 [235.0]	19.440 [493.8]	166 [75]
Series 1500 RJ	3705 [252]	9.320 [236.7]	19.510 [495.6]	166 [75]
Series 2500 RF	5000 [340]	11.370 [288.8]	21.560 [547.6]	258 [117]
Series 2500 RJ	5000 [340]	11.500 [292.1]	21.690 [550.9]	258 [117]
API 2000	2000 [136]	7.060 [179.3]	17.250 [438.2]	106 [48]
API 3000	3000 [204]	7.570 [192.3]	17.760 [451.1]	128 [58]
API 5000	5000 [340]	9.310 [236.5]	19.500 [495.3]	166 [75]



JETCO ADJUSTABLE CHOKE VALVE MODEL JACV-3

Conventional Adjustable Choke Valve Model JACV-3